

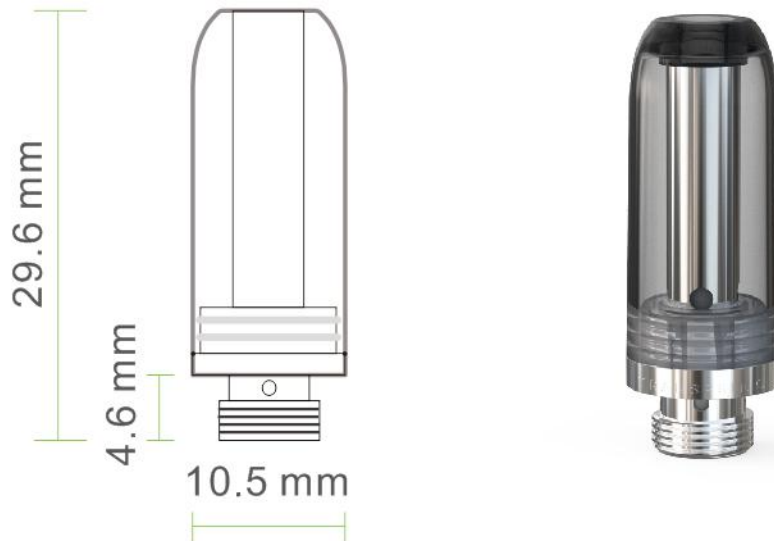
Product Specification

Product model: P10-L4(0.5ml)

Product type: Cartridge

Version	V1	Effective Date	06/04/2020
R&D Dept.	0132	Page	4

1. Dimension (Picture and Description)



Description: All-in-one cartridge

Appearance: There is no scratches, cracks, stains, uneven colors, unclear logos, and fades on the appearance of this product.

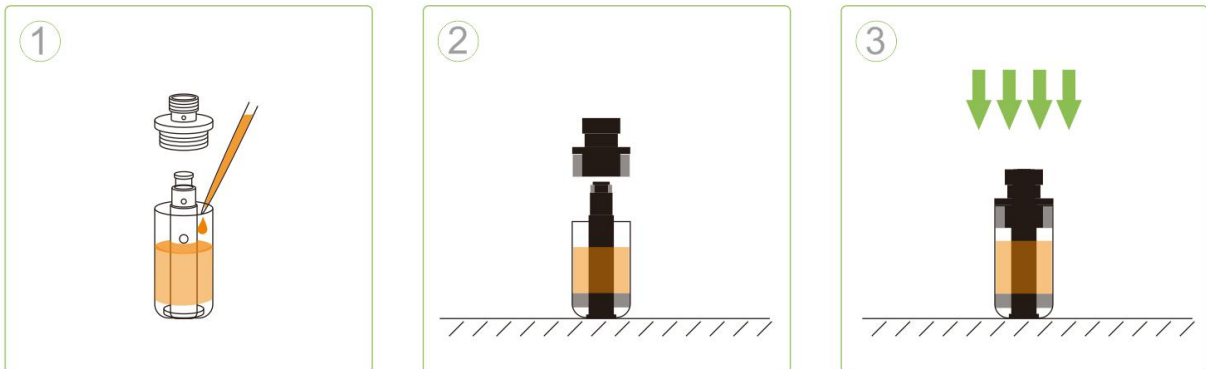
2. Features

- Transpring® Next-Gen Heating Core Technology
- All-In-One Design
- Food-Grade Stainless Steel
- Compliant with California BCC Heavy Metals Testing
- Recommended Battery: L31

3. Main Technical Parameter

Specifications	
Tank Volume	0.5ml
Resistance	1.2Ω
Aperture size	1.6mm
Aperture number	4
Dimension	Ø10.5x29.6mm
Weight	3.6±0.5g
Heating core material	Nichrome
Oil drawing material	Non-woven fabric
Mouthpiece material	PCTG
Tank material	PCTG
Connecting rod	SUS304
Outer thread ring material	Brass
Working temperature	-10℃~+50℃
Storage temperature	23℃±5℃

4. How to Use



- ① Turn cartridge upside down and gently put the syringe between the airway and the outer wall of the cartridge and fill the cartridge.
- ② Stand cartridge vertically on a flat and solid surface for ensuring the stress point is on the metal connecting rod.
- ③ Vertically press the outer thread firmly into the cartridge.

Notes:

- ▲ Do not inject the oil into the airway!
- ▲ Do not inject more than 0.5 milliliter of oil.
- ▲ Vertically pressing must be ensured, otherwise it is easy to crush the glass tank.
- ▲ We highly recommend to use hand press machine to press the outer thread.

5. Notes

- ▲ Pay attention to the shelf life of filled oil.
- ▲ The oil tank is made of PCTG1501 material, avoid close to the fire.

6. Storage

- The storage temperature is $23 \pm 5^{\circ}\text{C}$ and the humidity is $50 \pm 10\%$ RH.
- Place in a cool, dark and ventilated place.
- Keep the oil-filled cartridge sealed storage and avoid direct sunlight.
- The storage period should not be too long, so as not to exceed the shelf life of oil.