

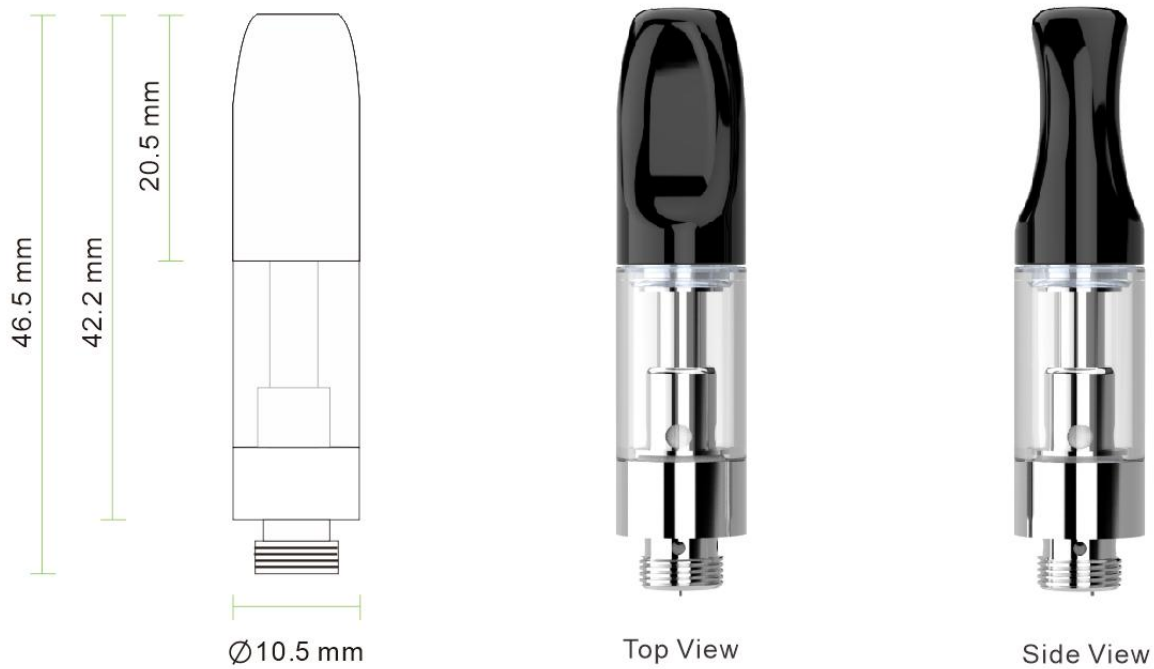
Product Specification

Product model: **A10-T2-T102**

Product type: **Cartridge**

Version	A0	Effective Date	2020/3/18
R&D Dept.	0011	Page	4

1. Dimension (Picture and Description)



Description: Top fill vaporizer cartridge.

Appearance: There is no scratches, cracks, stains, uneven colors, unclear logos, and fades on the appearance of this product.

2. Features

- Transpring® next-gen heating core technology
- Pure flavor, large clouds
- Great performance with different oil
- Smooth airflow for automatic vape

3. Main Technical Parameter

Specifications	
Tank Volume	0.5ml
Resistance	1.2Ω
Aperture Size	2.0mm
Dimension	Ø10.5x46.5mm
Weight	10.6g
Heating Core Material	Nichrome
Oil Drawing Material	Ceramic
Mouthpiece Material	Ceramic
Tank Material	Glass
Connecting Rod Material	Brass
Thread Ring Material	Brass
Number of Aperture	Four
Thread	510

4. How to Use

1) Unscrew the mouthpiece from the cartridge.

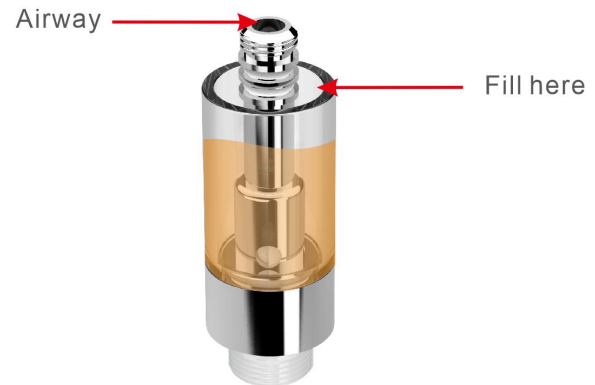
Turns counter clockwise to remove the mouthpiece and make sure that you put it somewhere safe.

2) Fill the tank with your favorite oil.

Gently put the syringe between the airway and the outer wall of the cartridge and fill the cartridge with oil at a proper speed.

Notes:

- ▲ *Do not inject the oil into the airway!*
- ▲ *Do not top off the tank with oil.*
- ▲ *Keep the silicon cap when filling*



3) Screw the mouthpiece back on the cartridge securely.

Install the mouthpiece and twist clockwise to tighten immediately after filling. Do not overtighten.

4) Leave the cartridge standstill with upside down for at least 30 minutes before use.

5. Storage

- The storage temperature is 23 ± 5 °C and the humidity is $50 \pm 10\%$ RH.
- Place in a cool, dark and ventilated place.
- Keep the oil-filled cartridge sealed storage and avoid direct sunlight.
- The storage period should not be too long, so as not to exceed the shelf life of oil.

6. Notes

- ▲ Pay attention to the shelf life of filled oil.
- ▲ Handle the glass cartridge with care. Do not crush or throw the cartridge.